

# Panel Antenna Technical Sheet



## Applications

- 5GHz Wi-Fi
- Wireless digital, Image transmission
- Wireless public hotspot coverage
- Dual polarization operation

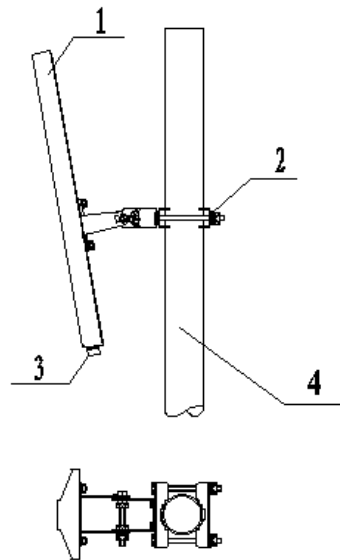
## Feature

- High Gain, High isolation
- Light weight, Small size
- Strong Corrosion Resistance
- Supplied with Down-tilt Bracket Kits

## Specifications

Model	18635.16
Freq.Range	5150-5850 MHz
Bandwidth	700 MHz
Gain	16 dBi
VSWR	≤2.5
Hor.Beamwidth	90°
Ver.Beamwidth	8°
F/B Ratio	≥25
Isolation	≥28
Impedance	50 Ohm
Polarization	Vertical / Horizontal
Maximum Power	20 W
Connector	2x N female
Dimensions	454×137×30 mm
Weight	1 Kg
Mast Diameter	40-65 mm

## Installation Sketch



1. Antenna                      2. Down-tilt Bracket  
3. Connector                    4. Mast

## WiMo Antennen und Elektronik GmbH

Am Gäxwald 14, D-76863 Herxheim Tel. (07276) 96680 FAX 9668-11  
<http://www.wimo.com> e-mail: [info@wimo.com](mailto:info@wimo.com)