

80m,40m,20m,15m,10m,6m,2m and 70cm Eight-band Vertical Antenna



CPVU8 (Antenna tuner is needed)

Operation Instructions

Description

The CPVU8 is an eight-band ground plane antenna for 3.5/7/14/21/28/50/144/430MHz.

Since the CPVU8 is compact and light weight, it can be used for temporary base station antenna.

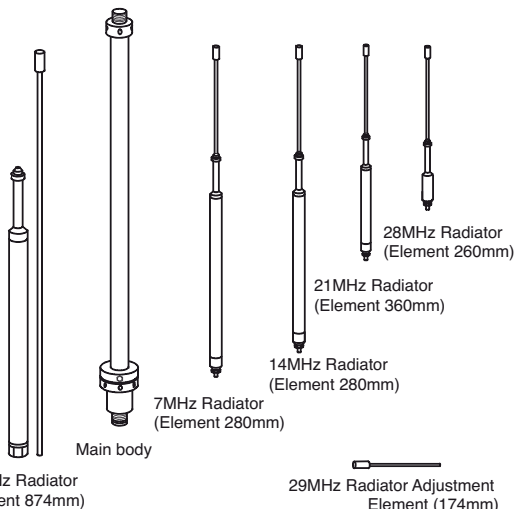
The CPVU8 can be used at 144/430Mhz without any adjustment. Other bands (3.5/7/14/21/28/50MHz) can be tuned by sliding the each element.

-Note-----

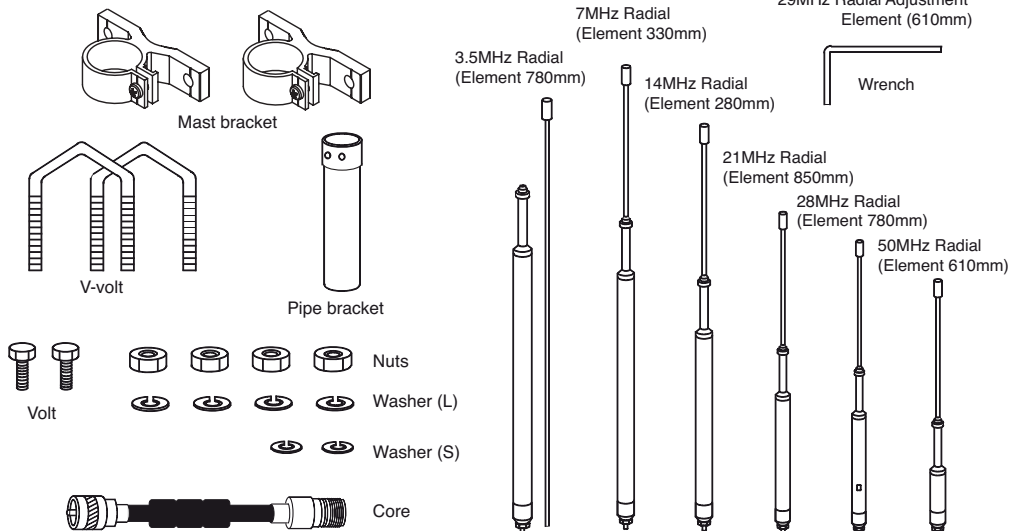
<<Installing the antenna>>

Don't install on a rainy or windy day since it is dangerous. Don't attempt to install the antenna only by yourself. Installing the antenna alone on the roof may lead you dangerous accident. Always ask your friends for help installing the antenna.

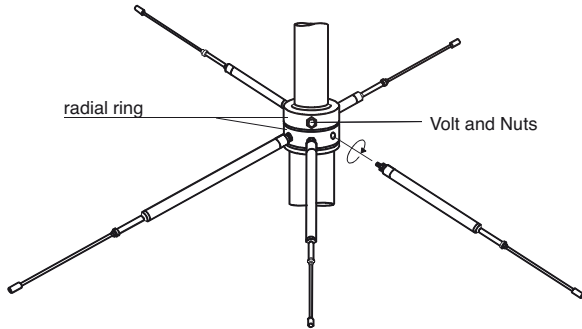
Don't drop the antenna, tools and attachment when installing the antenna in the height. Install the antenna before assembling it on the ground.



Parts Description



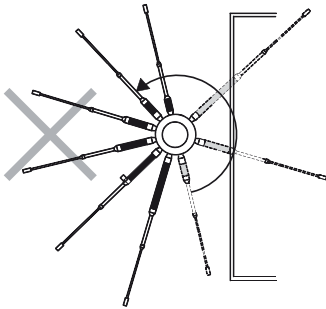
- ⑦ Assemble all radials. 3-radials on each radial ring. Turn the radial rings and adjust radial location to keep uniform angles.



About one directional style radial element

CPVU8 is designed to make one directional style radial element by moving the radial rings. (One directional style radial) This product is a high shortening ration antenna so if using one directional style radial element, some frequency may be adjusted apart from armature band. That time, to adjust armature band is not possible by element adjustment.

We are not able to take responsible when using one directional style radial element. Use the spread around style radial element.



Adjustment

When using antenna tuner, please adjust under 'Through' condition. If using Auto antenna tuner, adjust under 'Through'.

- ① Confirm SWR at 144/430MHz.
- ② Slide radial element of 50MHz and adjust the best SWR at the desired frequency.
- ③ Then start adjustment of SWR from 28→21→14→7→3.5MHz.

Extend the adjustment element of radiator for lower frequency and shorten for higher frequency. When it is difficult to adjust less than 2.0, please fix the element at the lowest point.

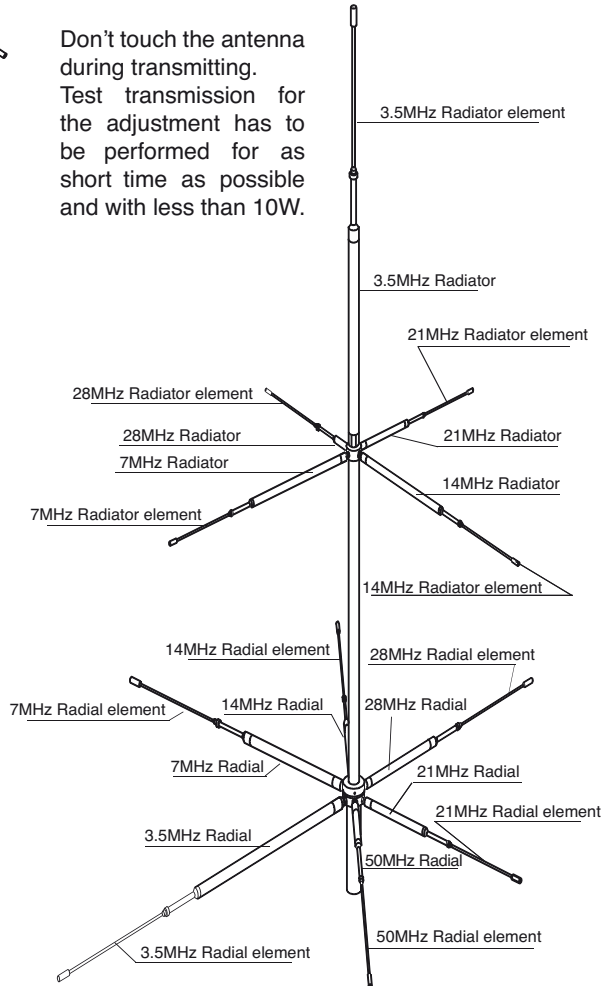
- ④ Sliding the radial element, please continue adjustment, then fix element at the lower point than 2.0.
- ⑤ After above adjustment, please thoroughly check and confirm all SWR, and proceed finer tuning.

Frequency change of radiator adjustment element per 1cm

frequency	Frequency change
3.5MHz	30KHz
7MHz	50KHz
14MHz	20KHz
21MHz	17KHz
28MHz	40KHz

---Note---

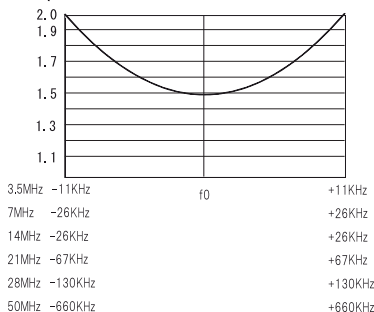
Don't touch the antenna during transmitting. Test transmission for the adjustment has to be performed for as short time as possible and with less than 10W.



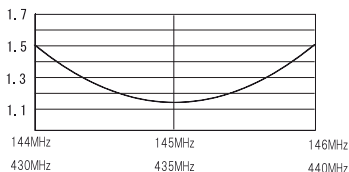
※If SWR is less than 2.0, you can operate the antenna tuner 'Through'. (However, if protection circuit of the transceiver is operated and the transmitting is stopped automatically, it is not so.) Since CPVU8 is high shortening ration antenna, use the antenna tuner if changing the frequency.

VSWR

HF/50MHz

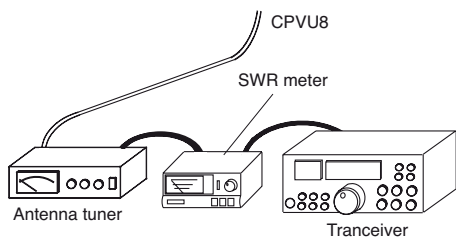


144/430MHz



About the antenna tuner

CPVU8 is designed as using the antenna tuner makes the best SWR. When operating, the auto antenna tuner of the transceiver is ON. If the transceiver doesn't have the antenna tuner, use the antenna tuner. Check the antenna tuner instruction when operating the antenna tuner. Set the SWR meter between the transceiver and the antenna tuner and check the SWR. If SWR is less than 2.0, you can operate the antenna tuner "Through". (However, if protection circuit of the transceiver is operated and the transmitting is stopped automatically, it is not so.)



--Note--

- Touching the antenna during transmission may cause to electrify. Pay attention not to touch the antenna especially for children if installing on a balcony railing.
- Please refrain from operation at over power than the specified.
- Kindly check tight fastening of each mounts, set screws etc. regularly to prevent any accident.
- When the install location is changed, please check and adjust SWR of each frequency newly.

• Specifications

Frequency range	3.500-3.575MHz
	7.00-7.10MHz
	14.00-14.35MHz
	21.00-21.45MHz
	28.00-29.70MHz
	(The element is required at 29.00MHz)
Type	50-52MHz
	144-146MHz
	430-440MHz
	1/4λ (3.5/7/14/21/28/50MHz)
Gain	1/2λ (144MHz)
	2x5/8λ (430MHz)
Impedance	2.15dBi (144MHz)
	5.5dBi (430MHz)
VSWR	50Ω
	Less than 2.0 (3.5/7/14/21/28/50MHz)
Max. power rating	Less than 1.5 (144/430MHz)
	200W SSB, 50W CW
Mast diameter accepted	(3.5/7/14/21/28/50MHz)
	150W FM (144/430MHz)
Length	φ30-62
	2.7m
Weight	2.4kg
	M-J

Though these products purchased are manufactured under strict quality control, if damage is caused by transporting, ask your dealer promptly.

Design and specifications of these products will be changed for future improvement without advance notice.

DIAMOND ANTENNA CORPORATION

Miyata Building, No.15-1,1-chome Sugamo,Toshimaku Tokyo,Japan 170-0002 TEL.03-3947-1411 FAX.03-3944-2981

Home Page <http://www.diamond-ant.co.jp>

E-mail overseas@diamond-ant.co.jp